

tuozi[®]

by Movelar



movelar[®]
www.movelar.pt

www.tuozi.pt



sunny living 



SERIE
KITAWAY
wood & charcoal

KITAWAY Barbecues system

DESCRIPTION

Turn your barbecue into a modular outdoor KITAWAY kitchen, of modern design, excellent smooth or textured finish, for charcoal, firewood and gas use.

With a 2877 cm² grill area and a wide range of TUOZI Grill accessories. Choose from the available options and organize your space the most convenient way. KITAWAY has everything you need to a complete outdoor cooking experience.

This series is composed by modules, accessories and complementary products, allowing you to find the solution that fits your needs. Up to 10 people use.

PAINTING NOT REQUIRED



4054 KITAWAY GÁS GRILL 10kW SMOOTH FINISHING

MODULE GAS

White and Black smooth mate finishing concrete. **GAS use only.** Grill with two gas burners 10 kW total power. Works with Butane or Propane gas. Optimized gas burning: 160g/h. Grill area of 2600 cm². Ignition through Piezo system. 1 x metal lower shelf. Compatible with all Kitaway.

64 x 40 cm

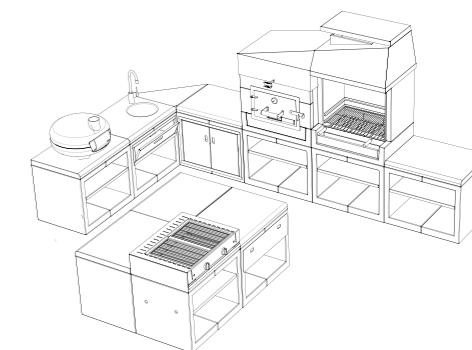
84 x 63 x 90 h

280 Kg

10 x

packing dimensions+
120 x 80cm
+ package with 2 bbq on
individual pallet
units/truck**132**

finish * TEXTURED FINISHING REF **4055**



[T00256] KITAWAY GÁS GRILL 10kW SMOOTH FINISHING

MODULE GAS

White and Black smooth mate finishing concrete. **GAS use only.** Grill with two gas burners 10 kW total power. Works with Butane or Propane gas. Optimized gas burning: 160g/h. Grill area of 2600 cm². Ignition through Piezo system. 1 x metal lower shelf. Compatible with all Kitaway.

64 x 40 cm

84 x 63 x 104 h

340 Kg

10 x

packing dimensions+
120 x 80cm
+ package with 2 bbq on
individual pallet
units/truck**132**

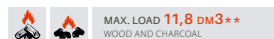




T00161 KITAWAY GRILL [F]



4015
KITAWAY GRILL
STAINLESS STEEL



MAX. LOAD 11,8 dm3**
WOOD AND CHARCOAL

Smooth Black & white concrete. Made up only 3 concrete parts. Compatible with kitaway series. Stainless steel grill.

68,5 x 42cm*6041

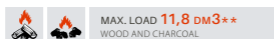
84 x 63 x 101h cm

305 Kg 8 px

packing dimensions+
95 x 70 x 120hcm
+ package with 2 bbq on individual pallet
units/truck50

finish * TEXT. WHITE REF 4011/TEXTURED BLACK & WHITE REF 4012/SMOOTH WHITE REF 4014

4015/1
KITAWAY GRILL
STAINLESS STEEL



MAX. LOAD 11,8 dm3**
WOOD AND CHARCOAL

Smooth Black & white concrete. Stainless steel firewood burner & drawer for collecting ashes. Stainless steel grill.

68,5 x 42cm*6041

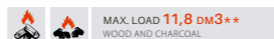
84 x 63 x 101h cm

305 Kg 8 px

packing dimensions+
95 x 70 x 120hcm
+ package with 2 bbq on individual pallet
units/truck50

finish * TEXT. WHITE REF 4011/1 TEXTURED BLACK & WHITE REF 4012/1SMOOTH WHITE REF 4014/1

4025
KITAWAY
Mini GRILL



MAX. LOAD 11,8 dm3**
WOOD AND CHARCOAL

Smooth Black & white concrete. Made up of only 2 concrete parts. Nicled grill 54 x 34 cm.

55,5 x 34cm

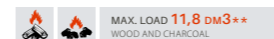
63 x 41,5 x 96h cm

197 Kg 5 px

packing dimensions+
95 x 70 x 82hcm
+ package with 2 bbq on individual pallet
units/truck50

finish * TEXT. WHITE REF 4021TEXTURED BLACK & WHITE REF 4022 SMOOTH WHITE REF 4024

4005
KITAWAY
BARBECUE



MAX. LOAD 11,8 dm3**
WOOD AND CHARCOAL

Smooth Black & white concrete. Made up only 7 concrete parts. Compatible with kitaway series. Stainless steel grill.

68,5 x 42cm*6041

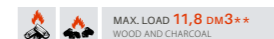
84 x 63 x 223h cm

535 Kg 8 px

packing dimensions+
120 x 80 x 190hcm
+ package with 2 bbq on individual pallet
units/truck33

finish * TEXT. WHITE REF 4001/TEXTURED BLACK & WHITE REF 4002/SMOOTH WHITE REF 4004

4005/1
KITAWAY BARBECUE
STAINLESS STEEL



MAX. LOAD 11,8 dm3**
WOOD AND CHARCOAL

Smooth Black & white concrete. Made up only 7 concrete parts. Compatible with kitaway series. Stainless steel grill.

68,5 x 42cm*6041

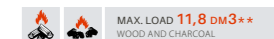
84 x 63 x 223h cm

535 Kg 8 px

packing dimensions+
120 x 80 x 190hcm
+ package with 2 bbq on individual pallet
units/truck33

finish * TEXT. WHITE REF 4001/1TEXTURED BLACK & WHITE REF 4002/1 SMOOTH WHITE REF 4004/1

4005/2
KITAWAY BARBECUE
ORIGINAL



MAX. LOAD 11,8 dm3**
WOOD AND CHARCOAL

Grey concrete. Made up only 7 concrete parts. Compatible with kitaway series. Stainless steel grill.

68,5 x 42cm*6041

84 x 63 x 223h cm

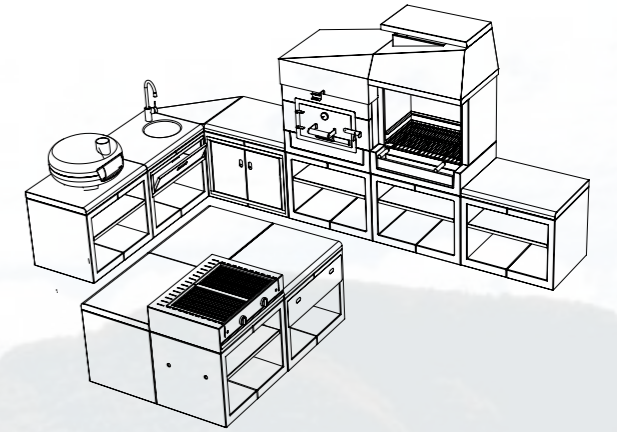
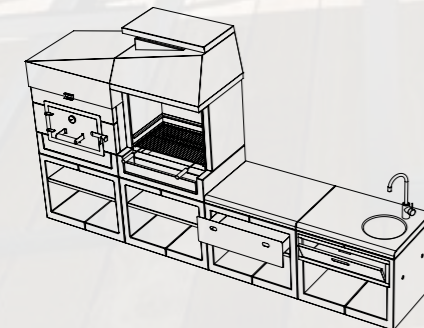
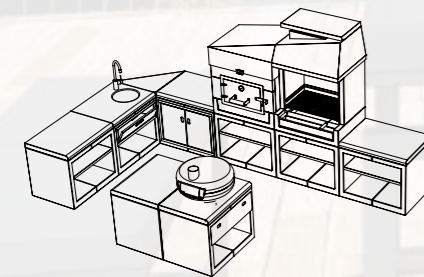
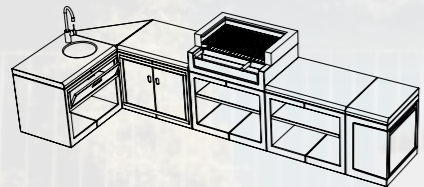
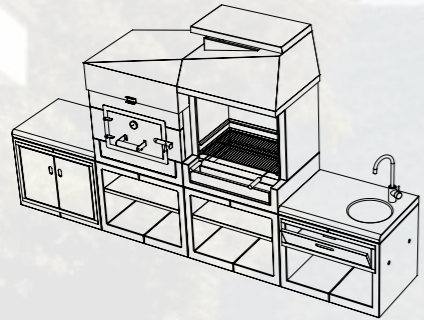
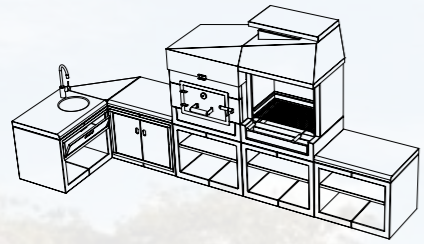
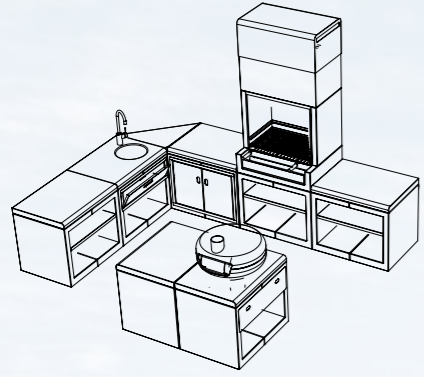
593 Kg 8 px

packing dimensions+
120 x 80 x 190hcm
+ package with 2 bbq on individual pallet
units/truck33

finish * TEXT. WHITE REF 4001/TEXTURED BLACK & WHITE REF 4002/SMOOTH WHITE REF 4004

Kitaway system

SOME CONFIGURATIONS



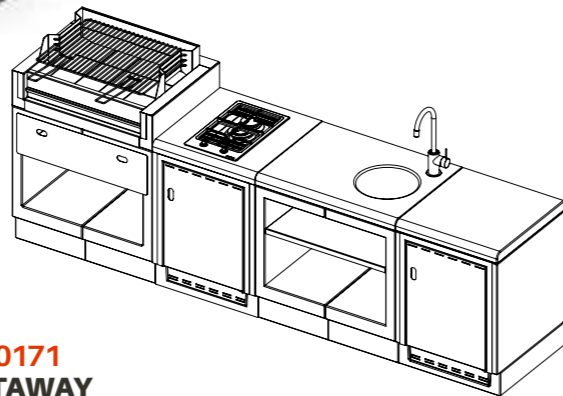
Kitaway with GAS system

SOME CONFIGURATIONS





[F]
KITAWAY



T00171
KITAWAY
GRILL 2018 [F]

MAX. LOAD **11,8 dm3****
WOOD AND CHARCOAL

Smooth Black & white concrete. Made up only 3 concrete parts. Compatible with kitaway series.

63 x 48 cm • **M00222**

84 x 63 x 115h cm

365 Kg 18 px

packing dimensions*
95 x 70 x 120hcm
+ package with 2 bbq on individual pallet
units/truck **50**

- . Barbecue in Smooth Varnished Concrete (BLACK & WHITE)
- . Wood and Charcoal use
- . Stainless Steel grill (according to EN norms)
- . Metallic fire protection (according to EN norms)
- . Metal rack support for wood or charcoal burning
- . Drawer for cleaning ashes
- . Lower black metal stand
- . Compatible with all KITAWAY products and accessories

. Doesn't need to be painted



SMOOTH ANTHRACITE AND WHITE CONCRETE (ALUMINIZED STEEL DOORS WITH BLACK POWDER COATING)

- Compatible with:
- . BEEFEATER Discovery 110 S - **T00167**
 - . PROLINE SER. 6B - **T00168**
 - . BROILKING REGAL 420 BUILT-IN - **T00169**

For compatibility with other models and brands please ask for information



T00162
KITAWAY GAS Built-In
BFeater Discovery 1100 S [F]

MODULE GAS

- . 4 Burners
- . 68.000 BTU total burner power
- . Quartz start Ignition
- . Rust resistant porcelain enamel coated cast iron grill
- . Front mounted

(more details in www.beefeaterbbq.com)

98 x 64 x 117h cm

195 + 51(Gas Griller)Kg

packing dimensions*
120 x 80 cm
+ package with 2 bbq on individual pallet
units/truck **33**

CONCRETE STRUCTURE **T00167**

T00163
KITAWAY GAS Built-In
BFeater Proline SER.6B [F]

MODULE GAS

- . 6 Burners for even heat distribution
- . 67.295 BTU total burner power
- . Electronic Ignition
- . Cast iron grill finish
- . Cast hotplate
- . Oil and grease collection system.
- . Side mounted

(more details in www.beefeaterbbq.com)

115 x 64 x 107h cm

204 + 63,5(Gas Griller)Kg

packing dimensions*
120 x 80 cm
+ package with 2 bbq on individual pallet
units/truck **33**

CONCRETE STRUCTURE **T00168**

T00205
KITAWAY GAS Built-In
Broilking Regal 420 [F]

MODULE GAS

- . 4 Dual-Tube™ Burners
- . 44.000 BTU total burner power
- . Electronic Ignition
- . 9mm stainless steel cooking grids
- . Stainless steel Flav-R-Wave™ Cooking system
- . Slide-out grease tray system
- . Front mounted

(more details in www.broilkingbb.com)

98 x 73 x 119h cm

195 + 80(Gas Griller)Kg

packing dimensions*
95 x 70 x 150hcm
+ package with 2 bbq on individual pallet
Weight: 300 kg

CONCRETE STRUCTURE **T00169**



**T00157
RECYCLE BIN [F]**

packing dimensions+
80 x 60 x 100hcm
+ package with 2 bbq on
individual pallet
Weight: 207kg



**4035
STAND MODULE**

Smooth black & white concrete. Smooth matte black concrete surface. Lower black metal self.

84 x 63 x 71h cm
258 Kg

packing dimensions+
95 x 70 x 90hcm
+ package with 2 bbq on
individual pallet
units/truck 50

finish * TEXT. WHITE REF 4031 TEXTURED BLACK & WHITE REF 4032 SMOOTH WHITE REF 4034



**4045
STAND MODULE
WITH SINK AND TAP**

Smooth black & white concrete. Smooth matte black concrete surface. Lower black metal self.

84 x 63 x 71h cm
263 Kg

packing dimensions+
95 x 70 x 90hcm
+ package with 2 bbq on
individual pallet
units/truck 50

finish * TEXT. WHITE REF 4041 TEXTURED BLACK & WHITE REF 4042 SMOOTH WHITE REF 4044



**4115
RECYCLE BIN**

Smooth black & white concrete. Black varnishep top. Aluminized steel bin (works with standard size bags.)

42 x 63 x 71h cm
158 Kg

packing dimensions+
95 x 70 x 150hcm
+ package with 2 bbq on
individual pallet
units/truck 50

finish * TEXT. BLACK & WHITE REF 4112



**4035 /1
STAND MODULE PLUS**

Smooth black & white concrete. Smooth matte black concrete surface. Lower black metal stand.

84 x 63 x 85h cm
278 Kg

packing dimensions+
95 x 70 x 90hcm
+ package with 2 bbq on
individual pallet
units/truck 50

finish * TEXT. WHITE REF 4031/1 TEXTURED BLACK & WHITE REF 4032/1 SMOOTH WHITE REF 4034/1



**4045/1
STAND MODULE PLUS
WITH SINK AND TAP**

Smooth black & white concrete. Smooth matte black concrete surface.

84 x 63 x 85h cm
283 Kg

packing dimensions+
95 x 70 x 90hcm
+ package with 2 bbq on
individual pallet
units/truck 50

finish * TEXT. WHITE REF 4041/2 TEXTURED BLACK & WHITE REF 4042/1 SMOOTH WHITE REF 4044/1



**4115/1
RECYCLE BIN PLUS**

Smooth black & white concrete. Black varnishep top. Aluminized steel bin (works with standard size bags.)

42 x 63 x 85h cm
158 Kg

packing dimensions+
95 x 70 x 150hcm
+ package with 2 bbq on
individual pallet
units/truck 50

finish * TEXT. BLACK & WHITE REF 4112/1



[F]
KITAWAY



FOOTER T00235 (X2)
Height: 14 cm (2x) 30 Kg

CONCRETE STRUCTURE T00219



T00155
STAND MODULE [F]

Smooth black & white concrete. Smooth matte black concrete surface. Lower black metal stand.

84 x 63 x 85h cm

318 Kg

packing dimensions*
95 x 70 x 90hcm
* package with 2 bbq on individual pallet
units/truck **50**

T00156
STAND MODULE [F]
WITH SINK AND TAP

Smooth black & white concrete. Smooth matte black concrete surface. Lower black metal stand.

84 x 63 x 85h cm

323 Kg

packing dimensions*
95 x 70 x 90hcm
* package with 2 bbq on individual pallet
units/truck **50**

T00185
STAND MODULE [F]
WITH SINK AND TAP WITH DOORS

Smooth black & white concrete. Smooth matte black concrete surface. Lower black metal stand. Sink with Ø 33cm.

84 x 63 x 85h cm

331Kg

packing dimensions*
95 x 70 x 90hcm
* package with 2 bbq on individual pallet
units/truck **50**



T00186
STAND MODULE [F]

Smooth black & white concrete. Smooth matte black concrete surface. Lower black metal stand.

84 x 63 x 85h cm

300 Kg

packing dimensions*
95 x 70 x 90hcm
* package with 2 bbq on individual pallet
units/truck **50**



T00187 STAND MODULE [F]



T00199 CONCRETE STRUCTURE

③ POSSIBLE TO PLACE GAS PLATES (MAXIMUM 2)

SMEG - BUILT IN HOBS POSSIBILITIES



PGF31G-1 Hob, Classic, Gas, 30 cm, Stainless steel, Built-in type: Ultra-low profile
PGF32G Hob, Classic, Gas, 30 cm, Stainless steel, Built-in type: Ultra-low profile
PGF32C Hob, Classic, Ceramic, 30 cm, Built-in type: Ultra-low profile
PGF30B Hob, Classic, 30 cm, Stainless steel, low profile
FRYER

Teka BUILT IN HOBS POSSIBILITIES



EFX 30.1 TEPPANYAKI - 30 cm Modular hob Teppanyaki - Stainless steel surface - Metallic looking front knob - Overheating cut-off system - Efficiency value more than 90% - High temperature resistance surface (AISI 304) max 270C. Thermostat for a constant cooking temperature control. Easy cleaning. Max. nominal power: 2400 W
GOW LUX 30.1 2G AI - 30 cm Modular gas on glass hob - Gas typology: LPG (butane/propane) - New professional look - Cast iron grid - Auto-ignition - Auto-lock safety device - Metallic and glossy black looking - front knob - 2 cooking zones: 1 fast burner (2.8 kW); 1 auxiliary burner (1 kW)
EFX 30.1 2G AI AL CI - 30 cm Modular gas hob Gas typology: LPG (butane/propane) - High Efficiency burners - Metallic looking front knob - 2 cooking zones: 1 double ring burner (3.00 kW) - 1 auxiliary burner (1,00 kW)
TR 3220 - 30 cm Modular vitro-ceramic hob - Touch control panel - Bevelled glass - Security blocking - burst of cooking function - Cooking time programmer - Independent programmer of each cooking zone - Residual heat indicator - 2 cooking zones: 1 double high light (120/180 mm Ø) - 1 high light (145 mm Ø) - Max. nominal power: 2900 W
EFX 30.1 BBQ GRILL - 30 cm Modular BBQ/GRILL - Barbecue - Stainless steel surface - Cast iron grid - Metallic looking front knob - Overheating cut-off system - 1 electric resistance - Max. nominal power: 2400 W



NOT INCLUDED



Ⓢ POSSIBLE TO PLACE GAS PLATES (MAXIMUM 2)

SMEG - BUILT IN HOBS POSSIBILITIES



PGF31G-1 - Hob, Classic, Gas, 30 cm, Stainless steel, Built-in type: Ultra-low profile
PGF32G - Hob, Classic, Gas, 30 cm, Stainless steel, Built-in type: Ultra-low profile
PGF32C - Hob, Classic, Ceramic, 30 cm, Built-in type: Ultra-low profile
PGF30B - Hob, Classic, 30 cm, Stainless steel, low profile
FRYER

Teka BUILT IN HOBS POSSIBILITIES



EFX 30.1 TEPPANYAKI - 30 cm Modular hob Teppanyaki - Stainless steel surface - Metallic locking front knob - Overheating cut-off system - Efficiency value more than 90% - High temperature resistance surface (AISI 304) max 270C. Thermostat for a constant cooking temperature control. Easy cleaning. Max. nominal power: 2400 W
CGW LUX 30.1 2G AI - 30 cm Modular gas on glass hob - Gas typology : LPG (butane/propane) - New professional look - Cast iron grid - Auto-ignition - Auto-lock safety device - Metallic and glossy black looking - front knob - 2 cooking zones: 1 fast burner (2.8 kW) 1 auxiliary burner (1 kW)
EFX 30.1 2G AI AL CI - 30 cm Modular gas hob - Gas typology: LPG (butane / propane) - Stainless steel surface - Cast iron grid - Auto-ignition - Auto-lock safety device - High Efficiency burners - Metallic locking front knob - 2 cooking zones: 1 double ring burner (3,00 kW) - 1 auxiliary burner (1,00 kW)
TR 3220 - 30 cm Modular vitro-ceramic hob - Touch control panel - Bevelled glass - Security blocking - Burst of cooking function - Cooking time programmer - Independent programmer of each cooking zone - Residual heat indicator - 2 cooking zones: 1 double high light (120/180 mm Ø) - 1 high light (145 mm Ø) - Max. nominal power: 2900 W
EFX 30.1 BBO GRILL - 30 cm Modular BBO/GRILL Barbecue - Stainless steel surface - Cast iron grid - Metallic locking front knob - Overheating cut-off system - 1 electric resistance - Max. nominal power: 2400 W

T00336
FRIDGE MODULE
61 [F]

Smooth black & white concrete. Smooth matte black concrete surface. Lower black metal stand.

61 x 63 x 85,5h cm

237 Kg

packing dimensions+
95 x 70 x 90hcm
+ package with 2 bba on individual pallet
units/truck **50**

T00184
STAND MODULE
61+DOOR [F]

Smooth black & white concrete. Smooth matte black concrete surface. Lower black metal stand.

61 x 63 x 85,5h cm

204Kg

packing dimensions+
95 x 70 x 90hcm
+ package with 2 bba on individual pallet
units/truck **50**

T00210
STAND MODULE
BULT IN GAS HOB
61 [F]

Smooth black & white concrete. Smooth matte black concrete surface. Lower black metal stand.

61 x 63 x 85,5h cm

200 Kg

packing dimensions+
95 x 70 x 90hcm
+ package with 2 bba on individual pallet
units/truck **50**

T00200 CONCRETE STRUCTURE



KITAWAY GRILL OTTE



4019 KITAWAY GRILL OTTE

MAX. LOAD 10,9 dm³ **
WOOD AND CHARCOAL

Smooth Black & white concrete. Stainless steel grill.

64 x 48,5 cm *

84 x 63 x 101h cm

350 Kg

8 px

packing dimensions*
95 x 70 x 150hcm
* package with 2 bbb on individual pallet
units/truck 50

finish * TEXT. WHITE REF 4016 TEXTURED BLACK & WHITE REF 4017 SMOOTH WHITE REF 4018

• High performance barbecue, suitable for indirect cooking or traditional barbecue. Metal lid with 2 handles and thermometer for temperature indication. 4 grill levels. Suitable for cooking pizza. Stainless Steel Grill (according to EN norms). Metallic fire protection (according to EN norms). Metal rack support for wood or charcoal burning.



4050-4050/1 CORNER BLACK

Side stand top in black aluminized metal. Compatible with KITAWAY products.

88 x 63 x 71/81h cm

14 Kg





1. Module Kitaway Side Stand ref. 4035
2. Kitaway BBQ OTTE, ref. 4009
3. Kitaway Kitaway Oven OTTE, ref. 4085
5. ALVEO Pizza Oven, ref. 8080
6. Module Kitaway Side Stnad with Sink + Tap, ref. 4045
7. Kitaway Corner module, ref. 4050
8. Kitaway Drawer, ref. 4071
9. Kitaway Single Door, ref. 407
10. Kitaway Double Door, ref. 4070



4092
KITAWAY OTTE
PACK

MAX. LOAD **12,9 dm3****
WOOD AND CHARCOAL

Textured varnished concrete (black & white). Stainless steel grill.

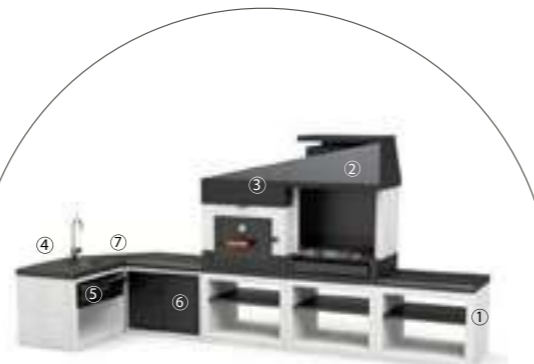
- 68,5 x 42 cm*
- 51 x 47,5 x 28hcm
- 170 x 76 x 192h cm
- 935 Kg

packing dimensions*
2x120x80hcm
units/truck**16**

finish * SMOOTH BLACK & WHITE REF **4095**

• 304 Stainless Steel Grill (according to EN norms). Metallic fire protection (according to EN norms). Metal rack support for wood or charcoal burning. Drawer for cleaning ashes. Lower black metal stand. **OVEN WITH:** Smoke exhaust system, regulated through manual opening valve. Aluminized steel double layered door. Thermometer for interior temperature indication. Lower black metal stand.

Inside: insulated refractory concrete
This product is provided in several components, to be assembled in place
Doesn't need to be painted



1. Module Kitaway Side Stand ref. 4035
2. Kitaway BBQ OTTE, ref. 4009
3. Kitaway Kitaway Oven OTTE, ref. 4085
4. Module Kitaway Side Stnad with Sink + Tap, ref. 4045
5. Kitaway Single Door, ref. 4007
6. Kitaway Double Door, ref. 4070
7. Kitaway Corner module, 4050



FOOTER 2 KITAWAY

Height: 14 cm

(2x) 30 Kg



4007
KITAWAY OTTE
BARBECUE

MAX. LOAD **11,8 dm3****
WOOD AND CHARCOAL

Textured varnished concrete (black & white). Stainless Steel Grill (according to EN norms).

- 68,5 x 42 cm*
- 86 x 63 x 192h cm
- 440 Kg 8 px

packing dimensions*
120 X 80 cm
units/truck**33**



T00170
KITAWAY OTTE [F]
BARBECUE

• 304 Stainless Steel Grill (according to EN norms). BBQ with chimney. Metallic fire protection (according to EN norms). Metal rack support for wood or charcoal burning. Drawer for cleaning ashes. Lower black metal stand. Compatible with all KITAWAY products and accessories. Specially designed to suite KITAWAY OVEN OTTE. *Doesn't need to be painted*



4085
KITAWAY OVEN
OTTE OVEN

MAX. LOAD **12,9 dm3****
WOOD AND CHARCOAL

Textured varnished concrete (black & white).

Wood & charcoal use.

- 51 x 47,5 x 28hcm
- 84 x 76 x 170h cm
- 514 Kg 7 px

packing dimensions*
120 X 80 cm
units/truck**33**

finish * SMOOTH BLACK & WHITE **4085**



T00160
OVEN OTTE [F]
BARBECUE

• Smoke exhaust system, regulated through manual opening valve. Aluminized steel double layered door. Thermometer for interior temperature indication. Lower black metal stand. Compatible with all KITAWAY products and accessories. *inside: insulated refractory concrete. This product is provided in several components, to be assembled in place.* *Doesn't need to be painted*



MAKE YOUR OWN OUTDOOR KITCHEN



ADD A FLOORING OUTDOOR KITCHEN



CONCRETE FLOORING

TEXTURED

- T00137 110 x 47 x 7h cm
- T00138 78 x 47 x 7h cm
- T00138 59 x 47 x 7h cm



CONCRETE FLOORING

SMOOTH

- T00095 110 x 47 x 7h cm
- T00094 78 x 47 x 7h cm
- T00093 59 x 47 x 7h cm



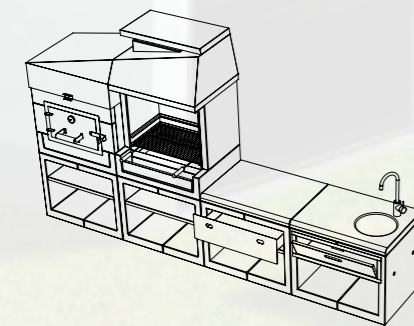
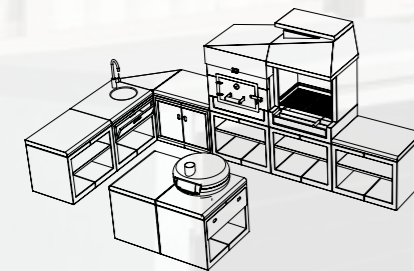
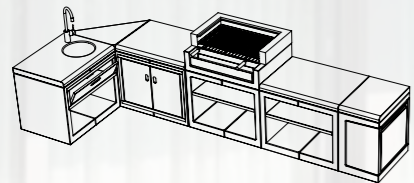
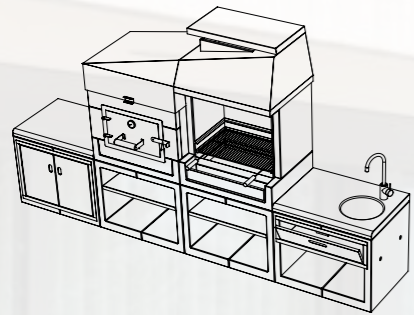
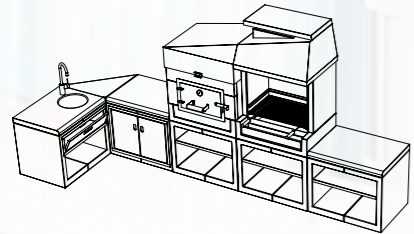
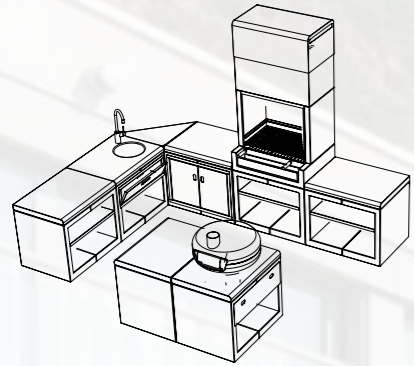
CONCRETE FLOORING

TEXTURED

- T00140 110 x 47 x 7h cm
- T00141 78 x 47 x 7h cm
- T00255 59 x 47 x 7h cm

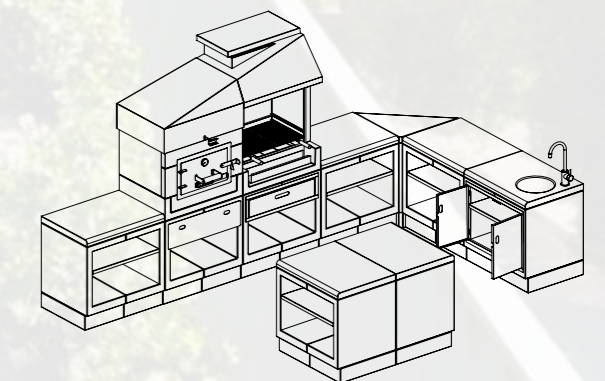
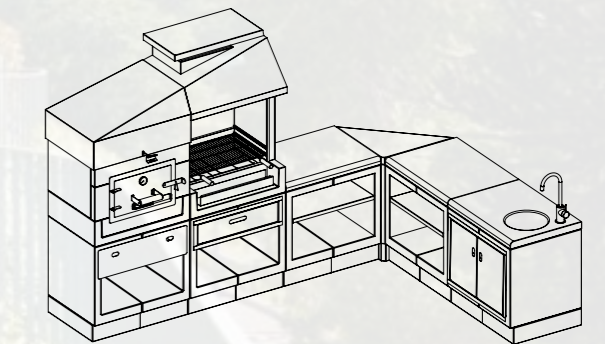
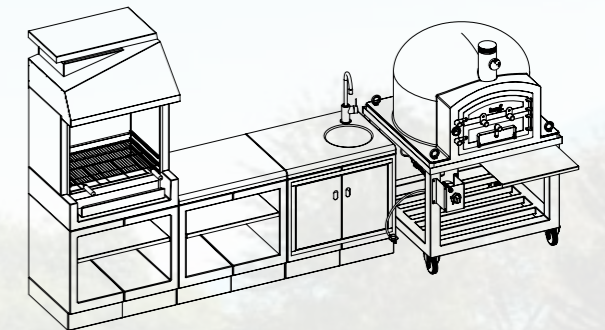
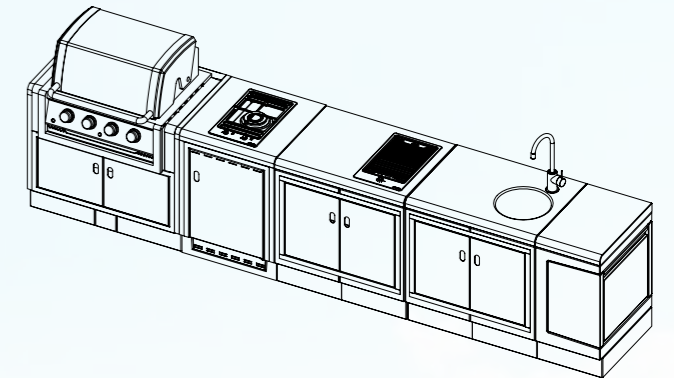
Kitaway system

SOME CONFIGURATIONS



Kitaway system

SOME CONFIGURATIONS





4079
KITAWAY OVEN 100



Double opening 304 stainless steel door small ventilation door thermometer. 304 stainless steel smoke exhaust system (150mm diam.) Interior base for supporting 2 large skewers. *Inside:* refractory ceramic in one single piece layer *Outside:* thermal insulated product with cellular concrete, mineral wool and cork finish.

	70 x 40hcm
	50 x 30/34hcm
	100 x 100 x 80h cm
	513 Kg

packing dimensions*
105 x 105 x 2
* package with 2 bbq on individual pallet
units/truck 14

4078
KITAWAY OVEN 100
GÁS



4079/2
KITAWAY OVEN 100
[WHITE]



Double opening 304 stainless steel door small ventilation door thermometer. 304 stainless steel smoke exhaust system (150mm diam.) Interior base for supporting 2 large skewers. *Inside:* refractory ceramic in one single piece layer *Outside:* thermal insulated product with cellular concrete, mineral wool and cork finish.

	70 x 40hcm
	50 x 30/34hcm
	100 x 100 x 80h cm
	513 Kg

packing dimensions*
105 x 105 x 2
* package with 2 bbq on individual pallet
units/truck 14

T00062
KITAWAY OVEN 100
[WHITE] GÁS





4079/1
KITAWAY OVEN PACK
 [OVEN 100 + BASE PLUS 100]



Oven inside: refractory ceramic in one single piece layer
 Oven outside: thermal insulated product with cellular concrete, mineral wool and cork finish
 Base: Metal structure with 50x50 mm, Tube 2 directional wheels with break + 2 standard wheels.

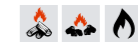
	70 x 40hcm
	50 x 30/34hcm
	100 x 100 x 170h cm
	600 Kg

packing dimensions*
 100x100x95 cm x 1
 95x70x100cmmx1
 units/truck 14

T00059
KITAWAY OVEN 100 (white)
GÁS



T00050
KITAWAY OVEN 100 GÁS
 [OVEN 100 + BASE PLUS 100 + BURNER]



Oven inside: refractory ceramic in one single piece layer
 Oven outside: thermal insulated product with cellular concrete, mineral wool and cork finish
 Base: Metal structure with 50x50 mm, Tube 2 directional wheels with break + 2 standard wheels.

	70 x 40hcm
	50 x 30/34hcm
	100 x 100 x 170h cm
	600 Kg

packing dimensions*
 100x100x95 cm x 1
 95x70x100cmmx1
 units/truck 14

T00051
KITAWAY OVEN 100 (white)
GÁS







4070
KITAWAY
DOUBLE DOOR

Metal drawer frame with 2 doors. Accessory compatible with kitaway barbecues e modules.

📏 77 x 3 x 55h cm
⚖️ 7Kg



4071
KITAWAY
METAL DRAWER

Metal drawer composed by wheels. Accessory compatible with kitaway barbecues e modules.

📏 75 x 20 x 62,5h cm
⚖️ 10Kg



4073
KITAWAY
SINGLE DOOR

Metal drawer composed by wheels. Accessory compatible with kitaway barbecues e modules.

📏 75 x 23 X 30h cm
⚖️ 3Kg



4060
BARBECUE
COVER

Black satin (PVC). Specifically designed for kitaway barbecue.

📏 89 x 64 x 165h cm
⚖️ 3,5Kg

4061 > GREEN SATIN



4062
BARBECUE
COVER

Black satin (PVC). Specifically designed for kitaway barbecue.

📏 89 x 64 x 35h cm
⚖️ 1,5Kg

4063 > GREEN SATIN



**BARBECUE
COVER**

Black satin (PVC). Specifically designed for kitaway barbecue.



4390

**TABLE SET
SOHO 190**

GRAY CONCRETE AND METAL

TABLE DIMENSIONS

190 x 100 x 74h cm

BENCH DIMENSIONS

190 x 37 x 46h cm

TABLE 350 kg | BENCH 98 kg

• Table set with 2 benches, table and bench surface, made of smooth gray concrete finished with a matte varnish, metal structure with thermal spraying protection and black matte finishing

COMPOSITION

1 TABLE
2 BENCHES

packing dimensions+
120 x 80 x 220hcm
units/truck33
+ package with 2 bbs on individual pallet



4105

PiCK & NiCK

SMOOTH BLACK & WHITE

TABLE DIMENSIONS

180 x 84 x 72h cm

BENCH DIMENSIONS

180 x 40 x 46h cm

750 kg

• Smooth black and white concrete, table and bench surface made of smooth black concrete finished with matte varnish.

COMPOSITION

1 TABLE
2 BENCHES

packing dimensions+
120 x 80 x 195hcm
units/truck33
+ package with 2 bbs on individual pallet



T00044
CONUNTO
TriBeca

WHITE CONCRETE AND METAL • Table set with 4 benches, table and bench surface, made of smooth gray concrete finished with a matte varnish, metal structure with thermal spraying protection and black matte finishing.

TABLE DIMENSIONS

↳ 118 x 90 x 100h

BENCH DIMENSIONS

↳ 40 x 40 x 75h cm

TABLE **95 kg** | BENCH **16kg**

COMPOSITION

1 TABLE
4 BENCHES

T00072 GRAY CONCRETE AND METAL

www.tuozi.pt | www.movelar.pt

Zona Industrial de Porto de Mós
Rua principal | Lote 17 - C
2480-407 Porto de Mós
Portugal

tel: +351 244 481 036
fax: +351 244 482 003

info@tuozi.pt

co-financiamento: